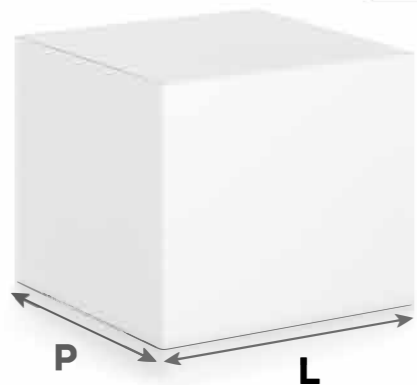
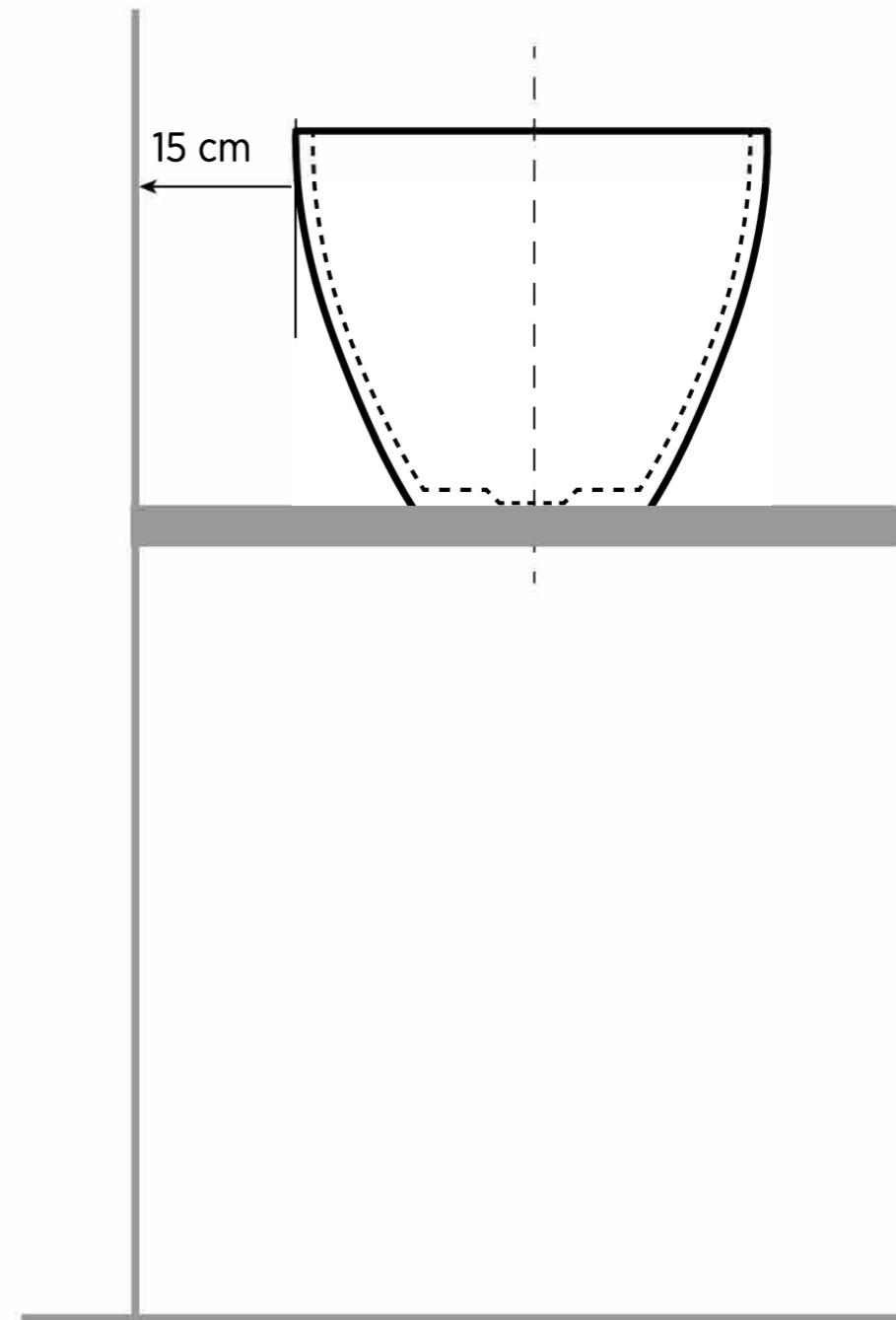
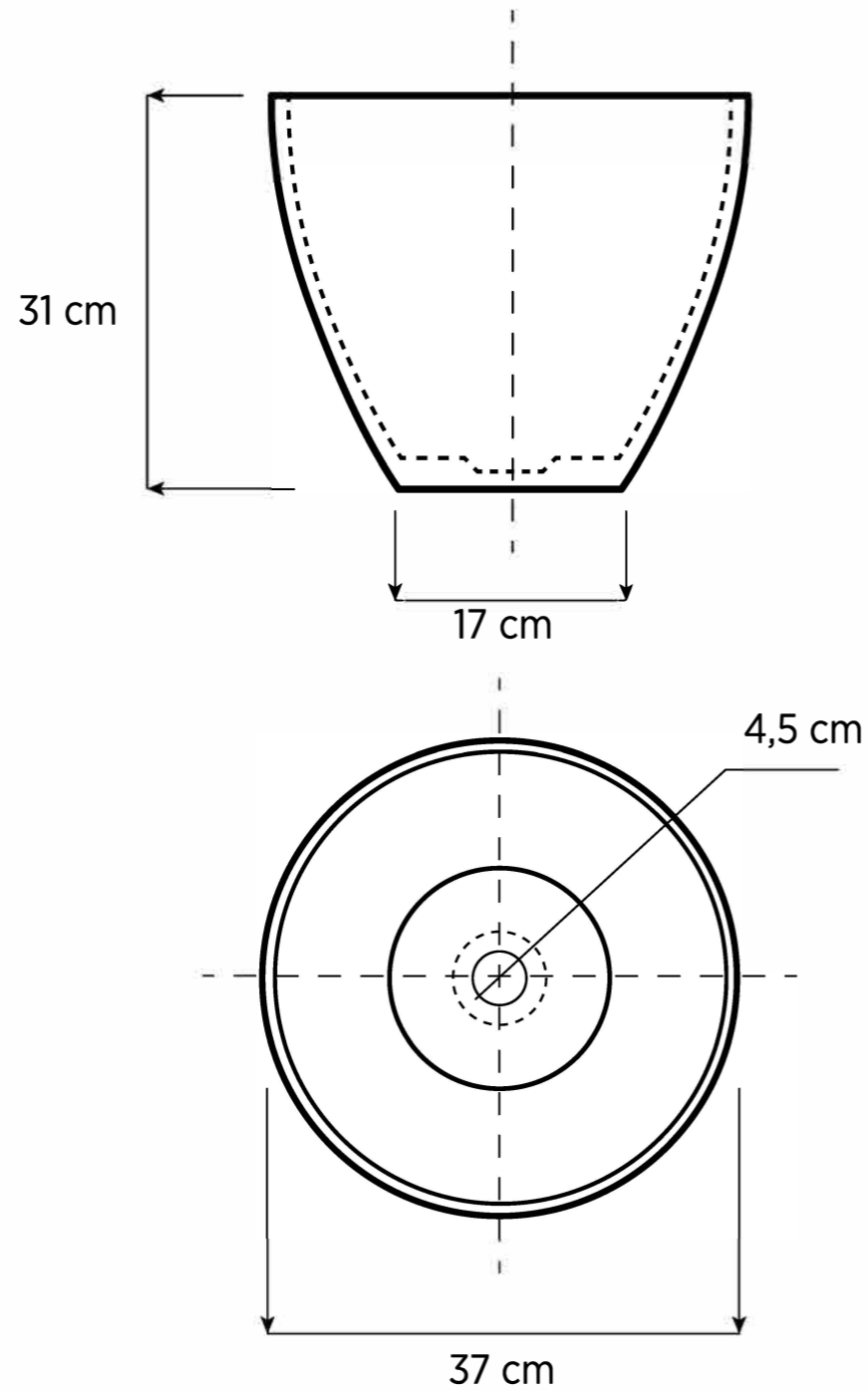


terzofoco

CONO



BOX SIZE*

H

L: 56 cm
P: 56 cm
H: 40 cm

* Tolerance +/- 2%

TYPE

✓ **OVERTOP**
SEMI INSERT
INSERT

CARE INSTRUCTIONS

In order to preserve the appearance and durability of the product, never use abrasive sponges, hydrochloric or acetic acids, ammonia or metal silicates.

UNIQUENESS

Many products are made of technical Ceramic glazing or natural, woods, or metals,. Because of natural variations, and/or handmade process of the products, slight differences are expected and are not deemed manufacturing defects.