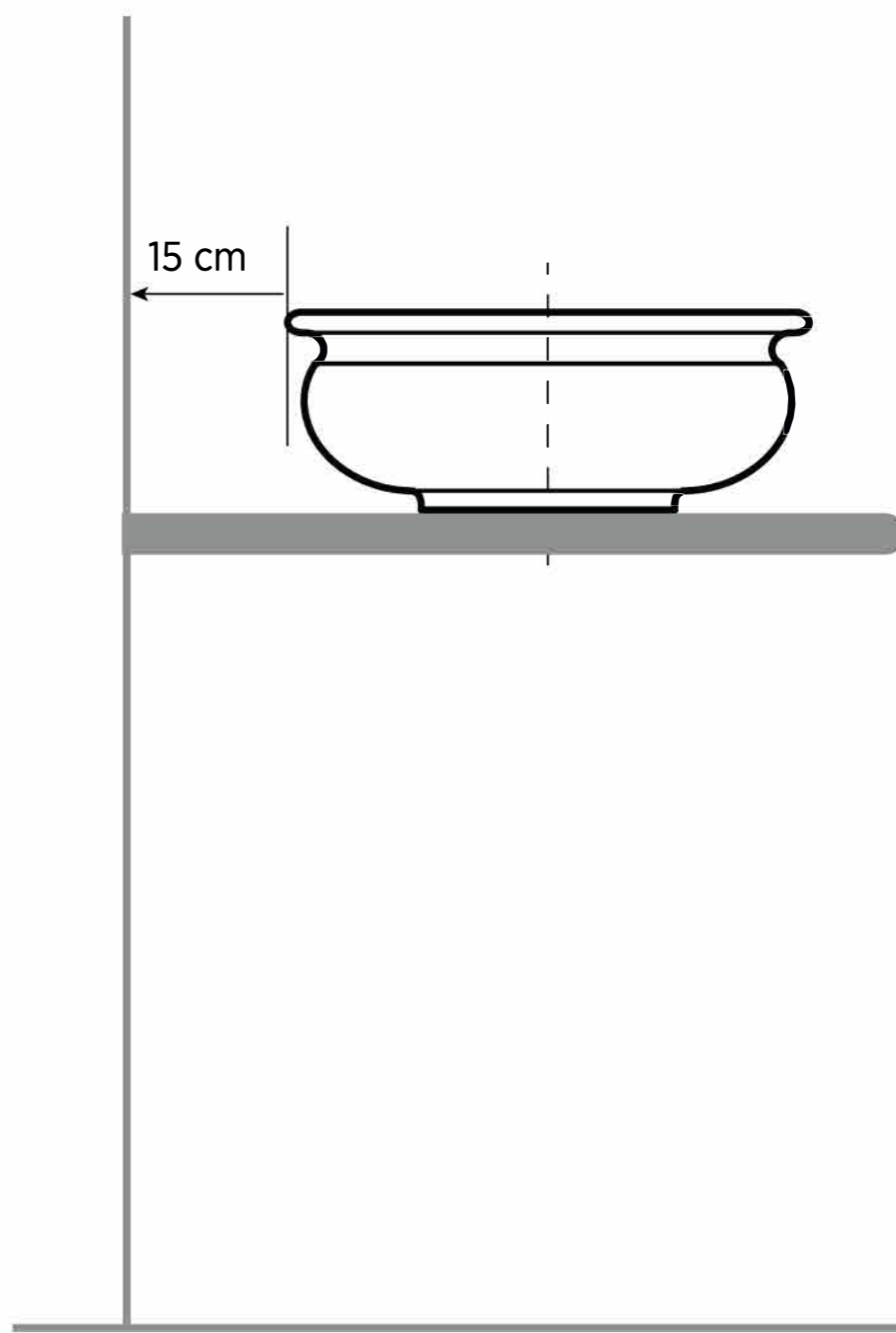
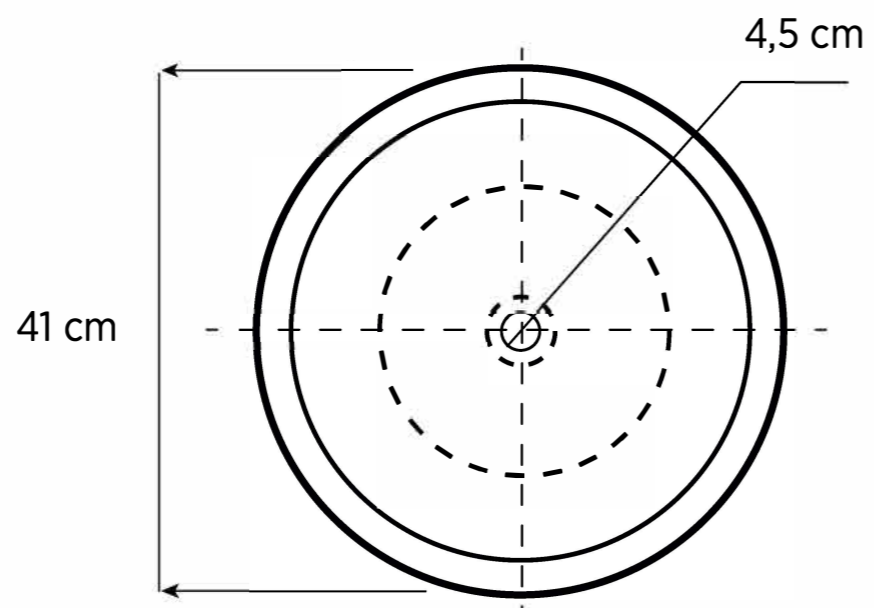
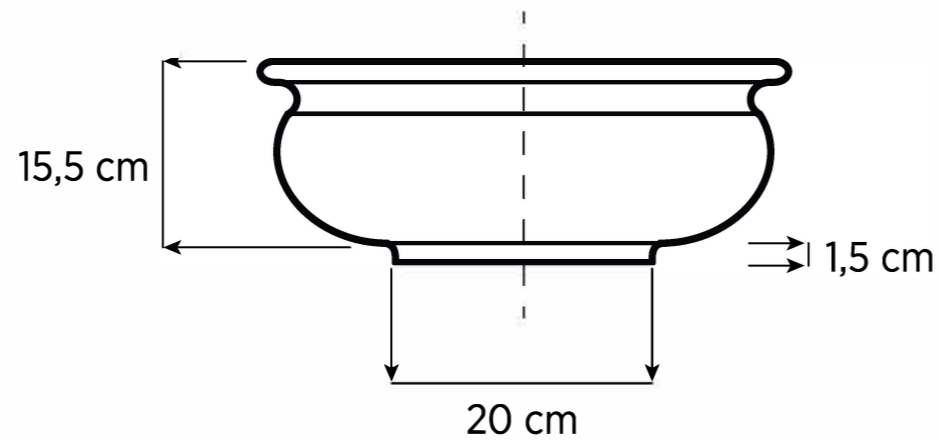


# terzofoco

ETRUSCO

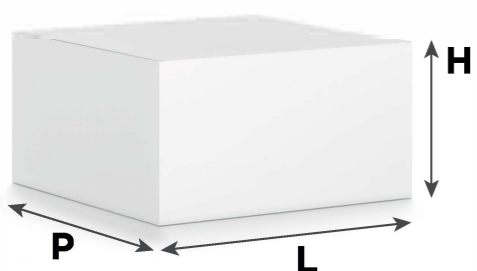


BOX SIZE\*

TYPE

CARE INSTRUCTIONS

UNIQUESS



**L:** 41 cm  
**P:** 41 cm  
**H:** 15,5 cm

**✓ OVERTOP  
SEMI INSERT  
INSERT**

In order to preserve the appearance and durability of the product, never use abrasive sponges, hydrochloric or acetic acids, ammonia or metal silicates.

Many products are made of technical Ceramic glazing or natural, woods, or metals,. Beacuse of natural variations, and/or handmade processof the products, slight differences are expetted and are not deemed manufacturing defects.

\* Tollerance +/- 2%