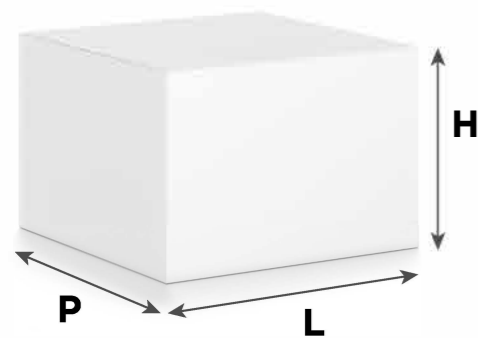
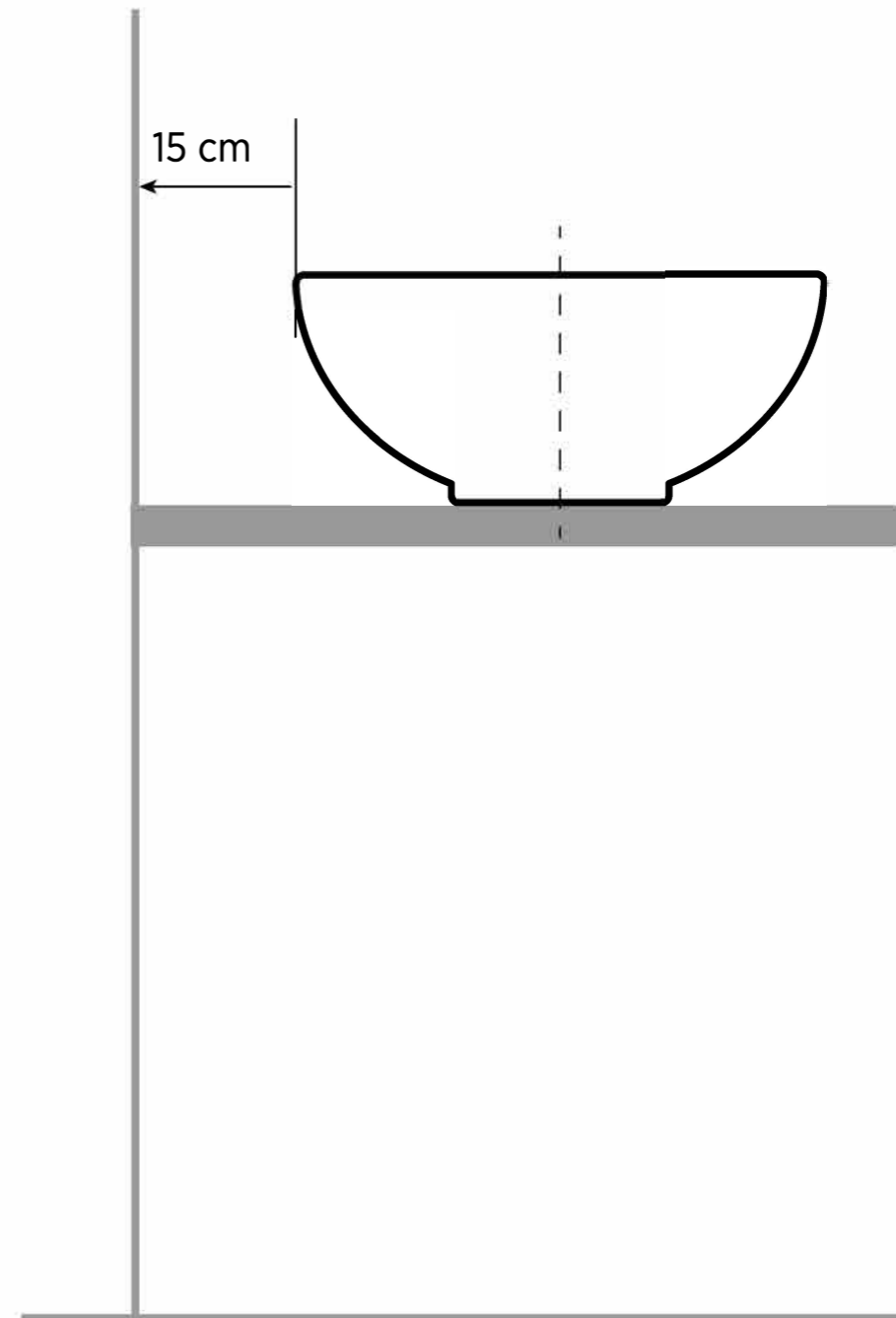
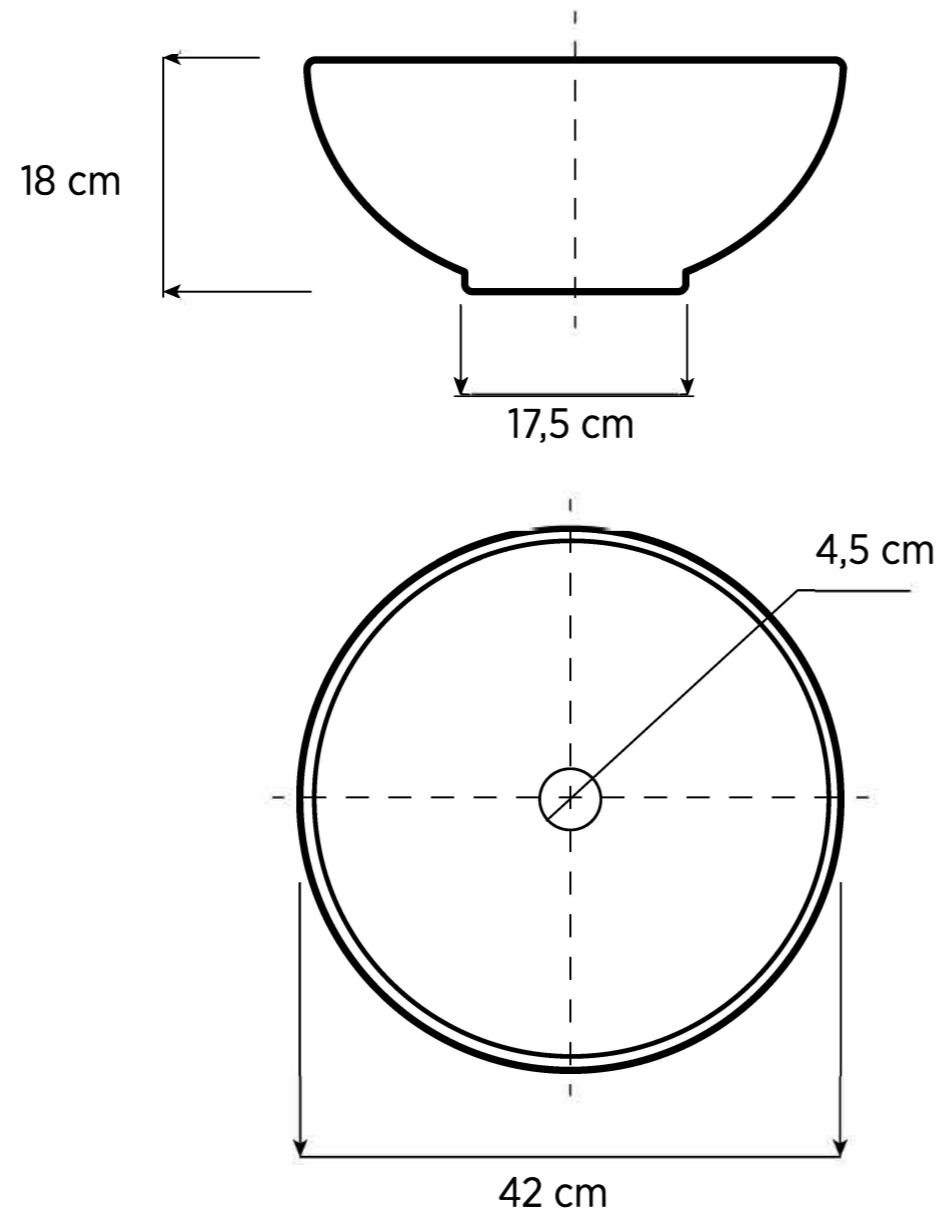


terzofoco

KYLIX



BOX SIZE*

L: 56 cm
P: 56 cm
H: 29 cm

* Tolerance +/- 2%

TYPE

✓ **OVERTOP**
SEMI INSERT
INSERT

CARE INSTRUCTIONS

In order to preserve the appearance and durability of the product, never use abrasive sponges, hydrochloric or acetic acids, ammonia or metal silicates.

UNIQUESS

Many products are made of technical Ceramic glazing or natural, woods, or metals,. Beacuse of natural variations, and/or handmade procesof the products, slight differences are expeted and are not deemed manufacturing defects.